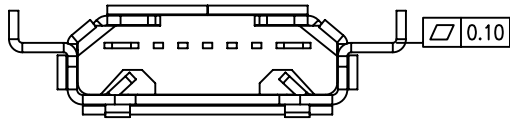
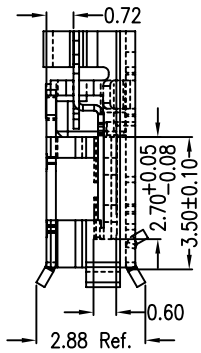


REV.	ECN NO	LOCATIONS	DESCRIPTION	DATE

A

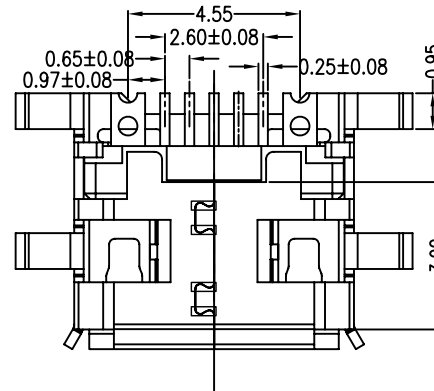
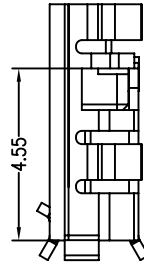
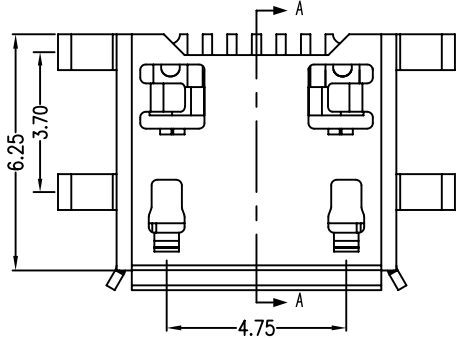


B

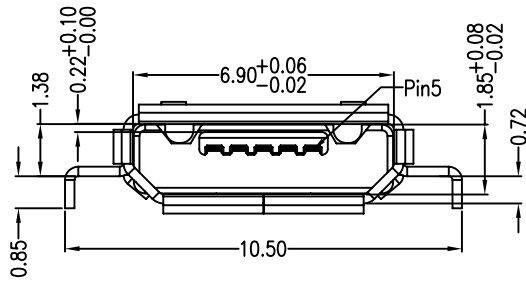


SEC A-A

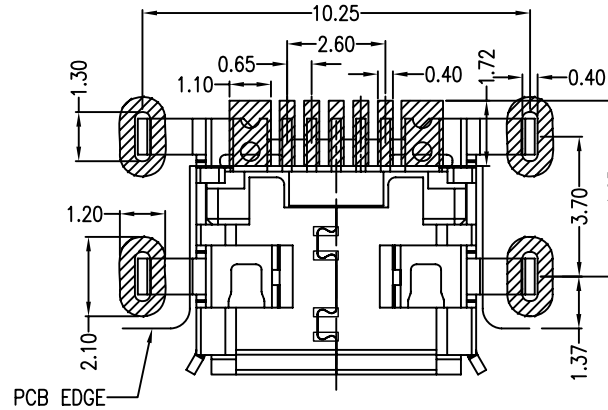
C



D



E



RECOMMENDED PCB LAYOUT
PCB图仅供参考

Note:

1. Material:

- 1.1 Housing: High temperature thermoplastic with g.f, UL94v-0
- 1.2 Contact: copper alloy, t=0.15mm
- 1.3 Shell: copper alloy, t=0.25mm

2. Specification:

- 2.1 Current rating: 1,5PIN 1.8A Max/2,3,4PIN 1A Max.
- 2.2 Dielectric withstanding voltage: 100 V(ac) for 1 min.
- 2.3 Contact resistance: 30 mΩ Max.
- 2.4 Insulation resistance: 100 MΩ Min.
- 2.5 Total mating force: 3.57 Kg Max.
- 2.6 Total unmating force: 1.0 Kg Min.
- 2.7 Temperature range: -30°C~80°C

A 01 S B X X X X X XX-051

① ② ③ ④ ⑤ ⑥ ⑦ ⑧ ⑨ ⑩ ⑪

- 外壳材质 1: C2680R-H
- 外壳电镀 1: N50u''
2: 雾T50u''
3: N+Au1u'' (脚)
4: Au1u''
- 端子电镀 01: Au1u''; 02: Au1.5u''; 03: Au3u''
05: Au5u''; 10: Au10u''; 15: Au15u''; 30: Au30u''
- 主体颜色 B: 黑色
- 主体材质 1: LCP
- 端子材质 4: C5191R-EH

PART NO: AO1SBXXXXXX-051		MATERIAL: SEE NOTE		TITLE: Micro usb 5s B Type Smt (沉板式) 四脚全插	
MODEL NO: XX		FINISH: SEE NOTE			
UNIT: MM	SIZE: A4	COLOR: SEE NOTE		DWG NO: A051	
TOLERANCE UNSPECIFIED		DR: xiayouhong		REV: A	
.x 0.15		CHK:		SCALE: 5:1	
.xx 0.10		APP:		DATE: 2012.05.22	
.xxx 0.05					
Ang. 1°					

F